

Introduction

What starts with a small leak, can quickly turn into £1000s worth of damage. Our leak detection mats can detect even a few small drips of water, allowing you to catch any leaks early.

Instantly receive an alert upon a leak. Perfect for monitoring a whole block of vacant apartments, as you can pinpoint where the leak is coming from before any major water damage is done.

General Ratings

Module Dimensions	145mm width 88mm depth 40mm height
Voltage Input	230VAC
Cable Length (To Wetpad)	100mm
Unit mounting	Wall Mount Box
Alarm Output	Volt Free Relay Output Audible Alarm 3x LEDs

Operation

Connect the Base unit to a Mains supply and position one of the mats in a location that you would like to monitor for leaks and you're ready to go.

Multiple mats can be daisy chained together to create a leak protection zone. These just need to be connected together using Twin & Earth lighting cable.

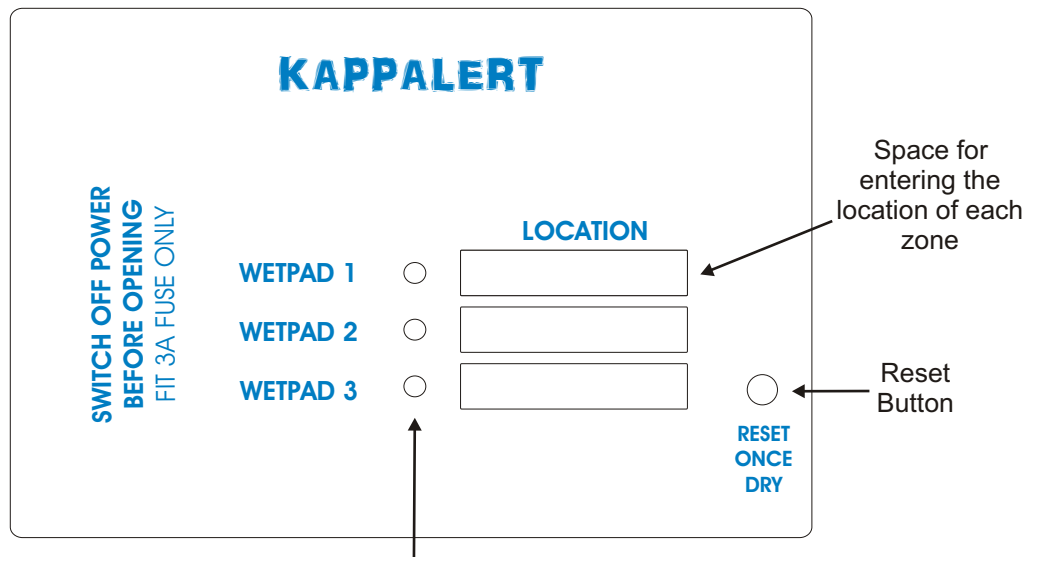
Up to 3 Zones can be monitored simultaneously. Upon any Mat within a Zone detecting a leak, the correspond LED will light on the base unit to indicate which Zone has triggered. An audible alarm will also trigger along with a volt-free relay output.

The Volt-free relay output can be wired directly into a BMS system or the wireless version can be set to automatically send out an SMS or email to alert of a leak.

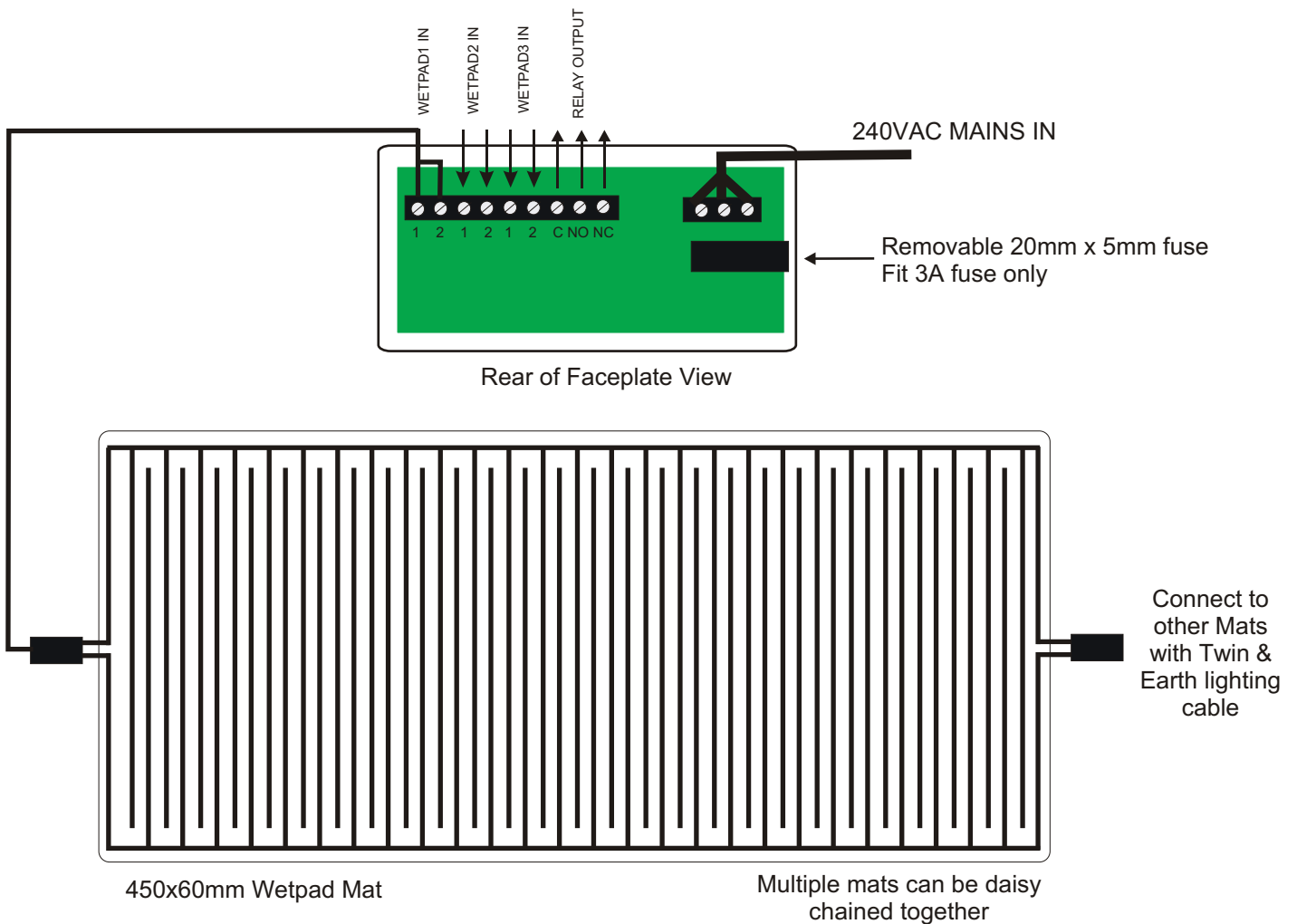
Once a leak has been detected and subsequently fixed, the quick drying Mats can be reused as many times as needed. The reset button on the base unit can be used to clear any alarms

Wiring Diagram

The alarm will trigger and the corresponding LED will illuminate when water is sensed on any of the wetpad mats



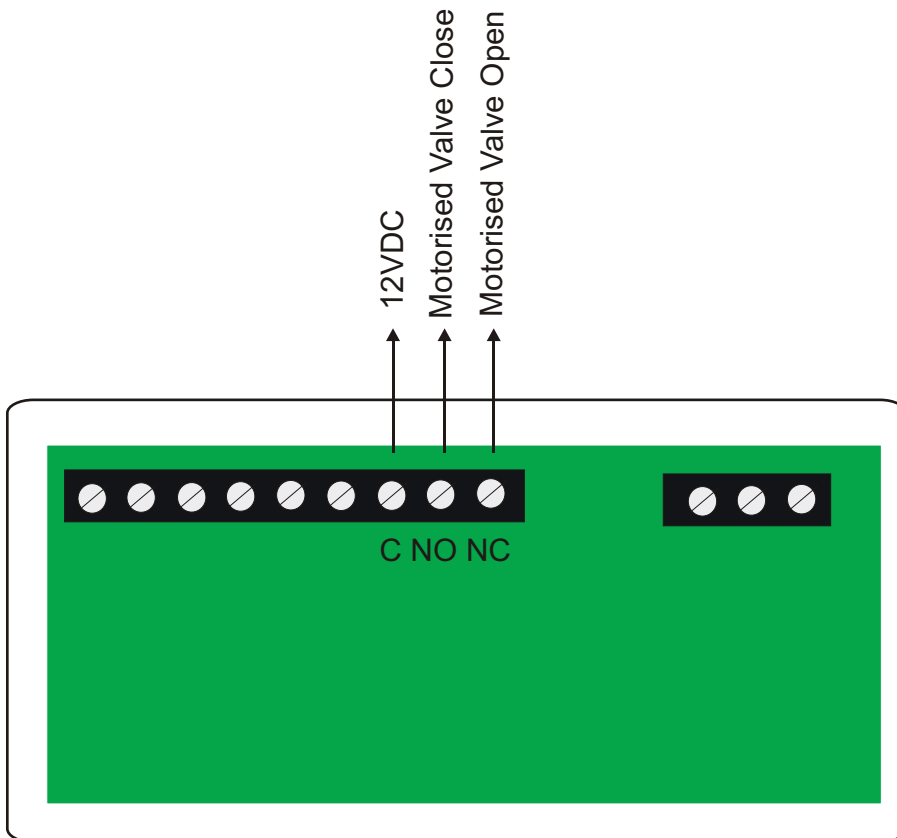
LEDs to indicate when a leak has occurred



How to wire to a motorised valve

The Relay Output on the module can automatically shut the water off when a leak is detected.

This is done by wiring a motorised valve into the Relay Output contacts as below.



Rear of Faceplate View

Data Sheet Issue: 1.01
Date: 16th August 2022

Order Codes

<u>Part Number</u>	<u>Description</u>
KAP-MAT1	Wetpad Blanket - 450x60mm
KAP-MAT2	Wetpad Blanket - 100x100mm
KAP-B3	3 Way Base Unit

Custom wetpad sizes available
Maximum size: 830mm x 530mm

Please contact us with the sizes you need.